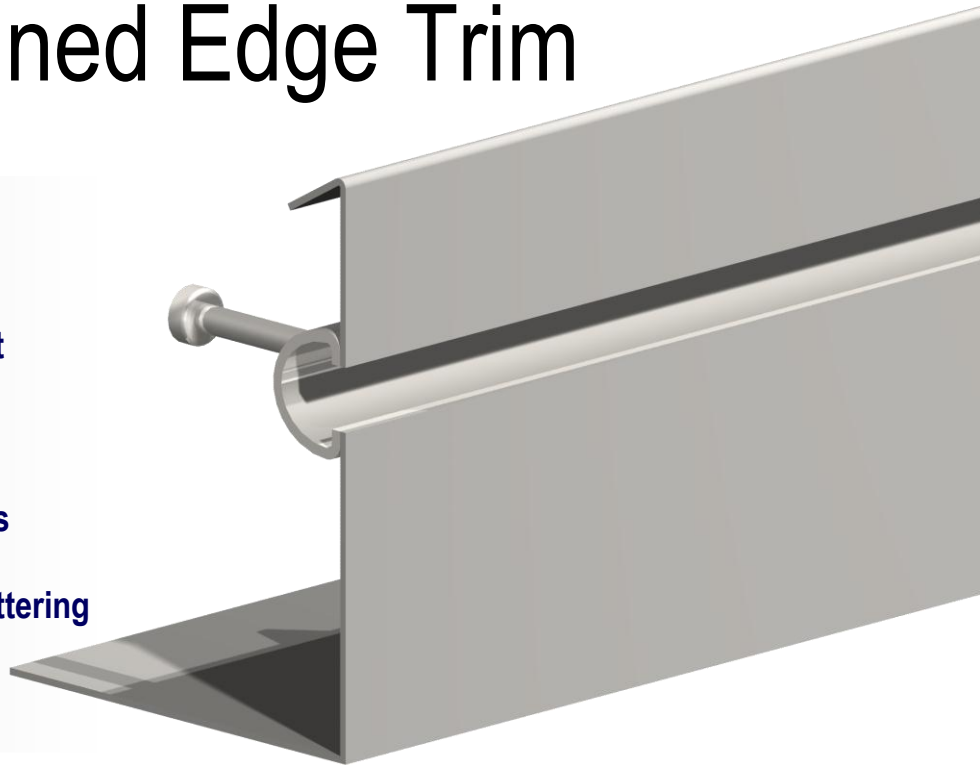


ACS Combined Edge Trim

- ✓ **No Site Drilling**
- ✓ **Longitudinal Adjustment**
- ✓ **Thin Slab Applications**
- ✓ **Reduced Edge Distances**
- ✓ **Negates Traditional Shuttering**
- ✓ **Channel Range**



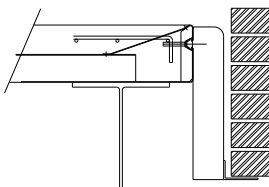
ACS Combined Edge Trim (CET)

CET has been developed for use with steel frame structures and acts as a permanent shuttering when pouring concrete in-situ onto ribbed decking floors. One of the main advantages of this system is that the profiled edge trim incorporates a channel for casting into the concrete to enable the fixing of masonry support angles, windposts & curtain walling at a later stage, as it is often not practical to site drill and fix into the concrete slab, as the thicknesses of the slabs are usually limited.

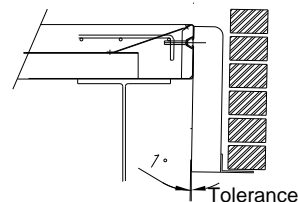
Installation & Best Practices

CET should be installed keeping the vertical alignment within +/- 1 degree of vertical when. Failure to do so may result in the line and level of the ancillary components being affected which may be costly to rectify using remedial fixes. This is illustrated below.

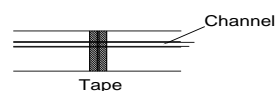
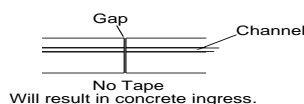
Correct Installation



Incorrect Installation



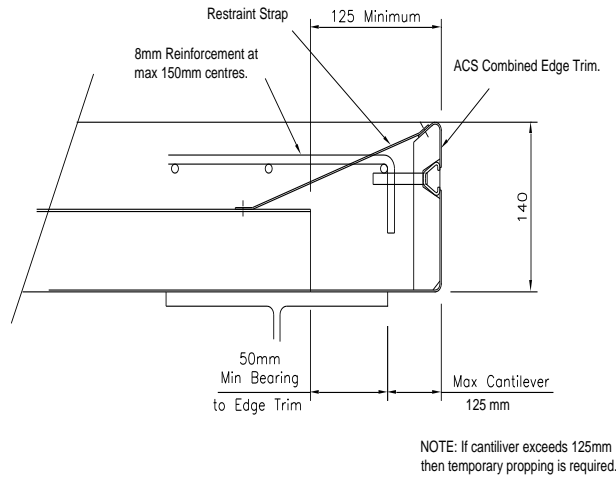
CET is supplied as standard in 3000mm long lengths. Restraint straps are provided to tie the CET to the metal decking and prevent the CET moving. These are fixed at a maximum of 450mm centres and 100mm either side of joints. CET should be butted together and taped along the perimeter to prevent concrete ingress.



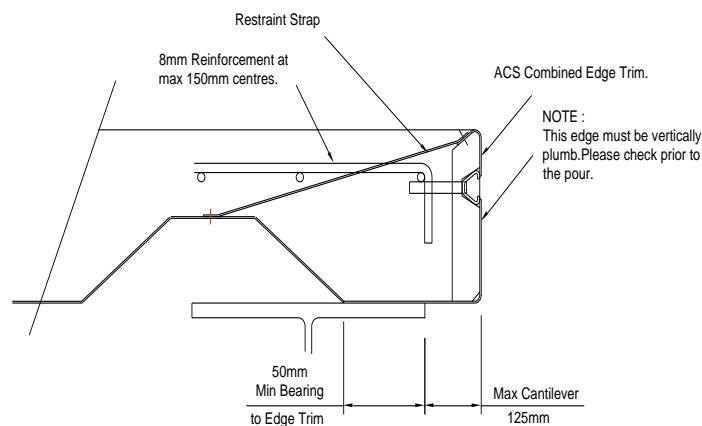
Technical Data Sheet

The external face of the CET must be at least 125mm from the edge of the decking profile to provide room for the channel anchors and reinforcement bars as illustrated below.

Where the decking runs **parallel** to CET, install as illustrated below to ensure minimum edge distances are achieved.



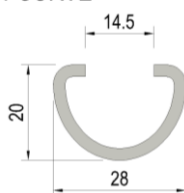
Where the decking runs **perpendicular** to CET, install as illustrated below to ensure min edge distance are achieved.



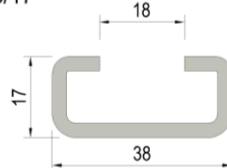
Channel Range

ACS CET can be supplied with various cast in channels to suit the specific loading requirements and fixing application. The standard channel list can be seen below.

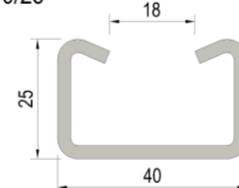
31/21 CURVE



38/17



40/25



For further information or technical assistance please contact the ACS Technical Department on 0844 850 0860 or email technical@acsstainless.co.uk

LEEDS
Cross Green Approach
Cross Green Industrial Park
Leeds LS9 0SG
Tel: +44 (0)113 391 8200
Fax: +44 (0)113 391 8209

LONDON
Crown House
Home Gardens
Dartford
Tel: +44 (0)1322 424 510
Fax: +44 (0)1322 424 504

GLASGOW
Festival House
150 Brand Street
Glasgow G51 1DH
Tel: +44 (0)141 314 0048
Fax: +44 (0)141 314 0026

