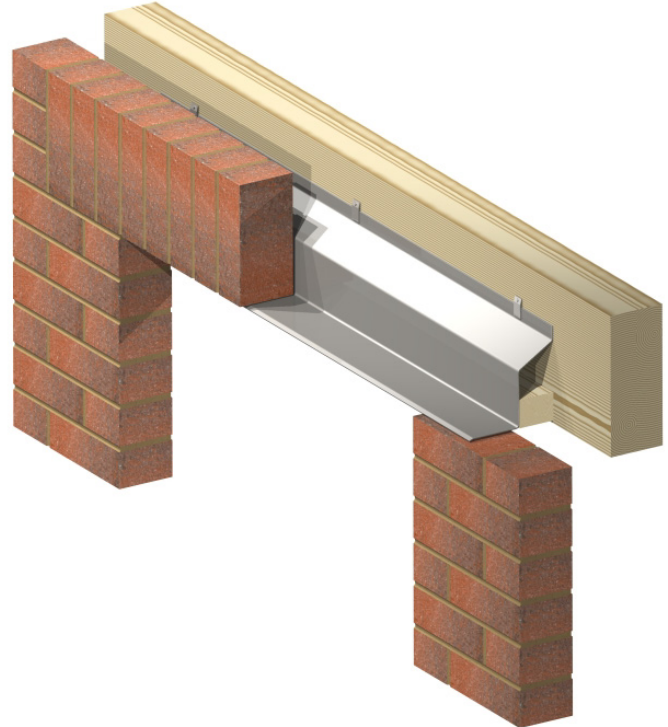


# Technical Data Sheet

## ACS L3 Lintel

- ✓ **Timber Frame Construction**
- ✓ **Single Leaf Lintel**
- ✓ **Up to 4.8m as standard**
- ✓ **Stainless steel 304 or 316**
- ✓ **Galvanised Carbon Steel**



### Installation & Best Practice

To achieve the stated load capacities the lintel must be fixed with the restraining clips and propped with a 300mm block or batten as illustrated during construction to prevent lateral deflection and twisting. The restraining clips should be fixed with 3.3 x 50mm nails at a maximum of 500mm centres from the centre line of the lintel. The clips should be fixed to allow for differential movement between the structure and the lintel.

Two main types of timber frame lintels are available to suit various load capacities, cavities and clear spans. The L3/50 is designed to suit a 40-55mm cavity and the L3/75 is designed to suit a 70-90mm cavity.

For further information or technical assistance please contact the ACS Technical Department on 0844 850 0860 or email [technical@acsstainless.co.uk](mailto:technical@acsstainless.co.uk)

**LEEDS**  
Cross Green Approach  
Cross Green Industrial Park  
Leeds LS9 0SG  
Tel: +44 (0)113 391 8200  
Fax: +44 (0)113 391 8209

**LONDON**  
Crown House  
Home Gardens  
Dartford  
Tel: +44 (0)1322 424 510  
Fax: +44 (0)1322 424 504

**GLASGOW**  
Festival House  
150 Brand Street  
Glasgow G51 1DH  
Tel: +44 (0)141 314 0048  
Fax: +44 (0)141 314 0026

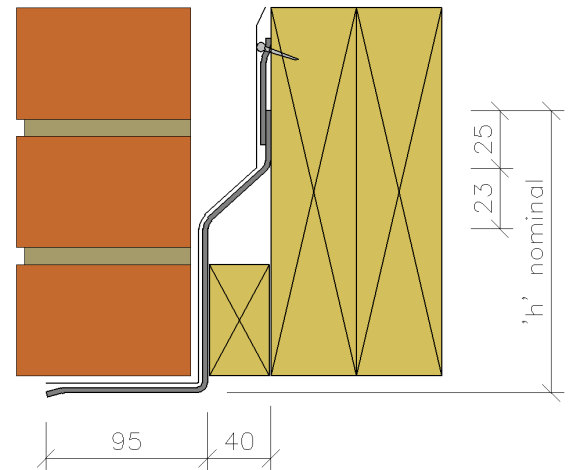


# Technical Data Sheet

## L3/50

Designed to suit 40-55mm cavities

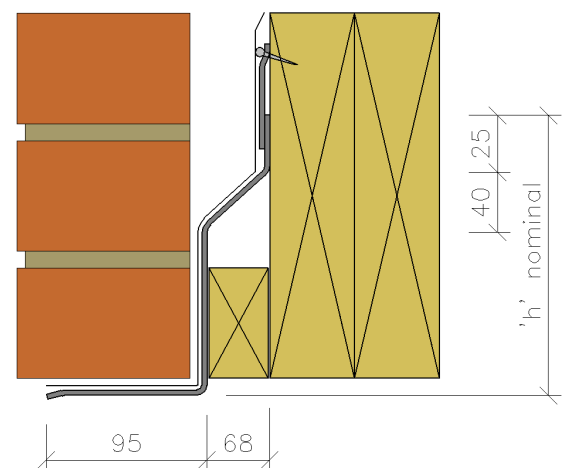
Manufactured Length (mm)	0600 - 1200	1350 - 1800	1950 - 2400	2550 - 3600	3750 - 4800
Height (mm)	110	110	135	185	250
Thickness (mm)	2.0	2.5	2.5	2.8	3.0
Allowable UDL (kN)	4	5	5	9	12
$I_{xx}$ (cm <sup>4</sup> )	58	76	132	417	795
$Z_{xx}$ (cm <sup>3</sup> )	7.66	9.91	14.66	28.60	52.85
Allowable Moment (Nm)	1245	1610	2382	4648	8588



## L3/50

Designed to suit 70-90mm cavities

Manufactured Length (mm)	0600 - 1200	1950 - 2400	2550 - 3600	3750 - 4800
Height (mm)	165	165	240	315
Thickness (mm)	2.0	2.5	3.0	3.0
Allowable UDL (kN)	9	12	12	12
$I_{xx}$ (cm <sup>4</sup> )	177	221	762	1556
$Z_{xx}$ (cm <sup>3</sup> )	16.82	21.01	53.56	86.23
Allowable Moment (Nm)	2733	3414	8704	14012



For further information or technical assistance please contact the ACS Technical Department on 0844 850 0860 or email [technical@acsstainless.co.uk](mailto:technical@acsstainless.co.uk)

**LEEDS**  
Cross Green Approach  
Cross Green Industrial Park  
Leeds LS9 0SG  
Tel: +44 (0)113 391 8200  
Fax: +44 (0)113 391 8209

**LONDON**  
Crown House  
Home Gardens  
Dartford  
Tel: +44 (0)1322 424 510  
Fax: +44 (0)1322 424 504

**GLASGOW**  
Festival House  
150 Brand Street  
Glasgow G51 1DH  
Tel: +44 (0)141 314 0048  
Fax: +44 (0)141 314 0026

