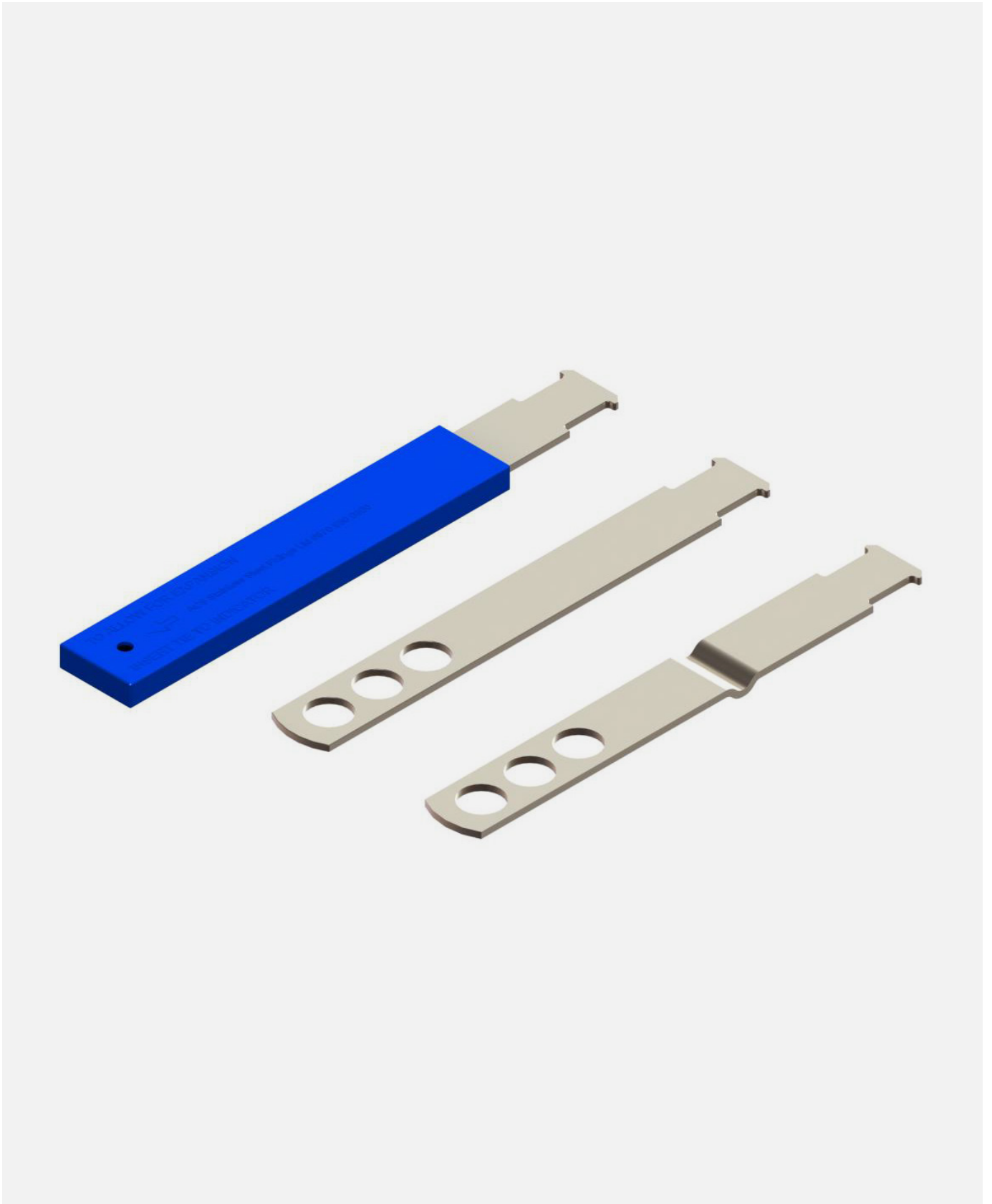


Apex Channel

To be used in
conjunction with the
ACS 4600 Range Ties



Apex Channel



Technical Data



BS EN 845-1

The ACS Apex Channel Tie System is designed to provide positive and negative axial restraint to applied windloads or shear restraint when used at columns for example. The system allows a masonry wall to be tied to a concrete substrate without the need for site drilling and post fixing. The Apex Channel can be supplied in 100mm or 3,000mm standard lengths complete with nail holes in the back of the channel to allow it to be easily fixed to the shuttering prior to concrete pouring. The channel is filled with a polystyrene infill which acts to prevent concrete ingress. 4600 Range Channel Ties can be supplied with a debondable plain end and debonding sleeve for use at a movement joint, or a safety end with or without a drip feature as required to suit the specific application.

Apex Channel



Test Results

The Apex Channel was cast into C30 concrete and tested in conjunction with the ACS 4600 Range Channel Tie at Lucideon to establish the Declared Load Capacity in tension, compression and shear.

The design resistance of ties conforming to BS EN 845-1 should be taken as the declared load capacity, relevant for the type of mortar and masonry units, divided by the value of γ_M for use with ancillary components given in NA to BS EN 1996-1-1:2005 +A1:2012, Table NA.1 which is a value of 3.0 for sites in the UK.

Mode of Test	Tie Feature	Maximum Declared Value (N)	Mortar Class
Shear	Channel Tie End	2340N	M2 (iv)
Tension		5460N	
Compression		2680N	
Shear	Embedment End	2500N	
Tension		4314N	
Compression		2680N	

Product Highlights

Masonry – Channel Tie

Tension – Compression / Shear

Austenitic Stainless Steel
(Grade 304)

CE Marked
(BS EN 845 - 1)

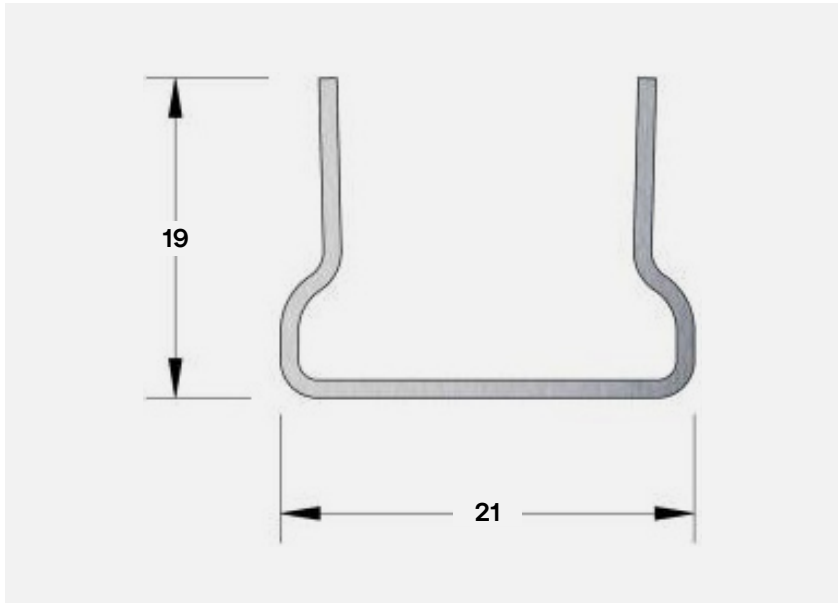
Lucideon Tested

Allows In Plane Movement

Provides Lateral/Shear Restraint

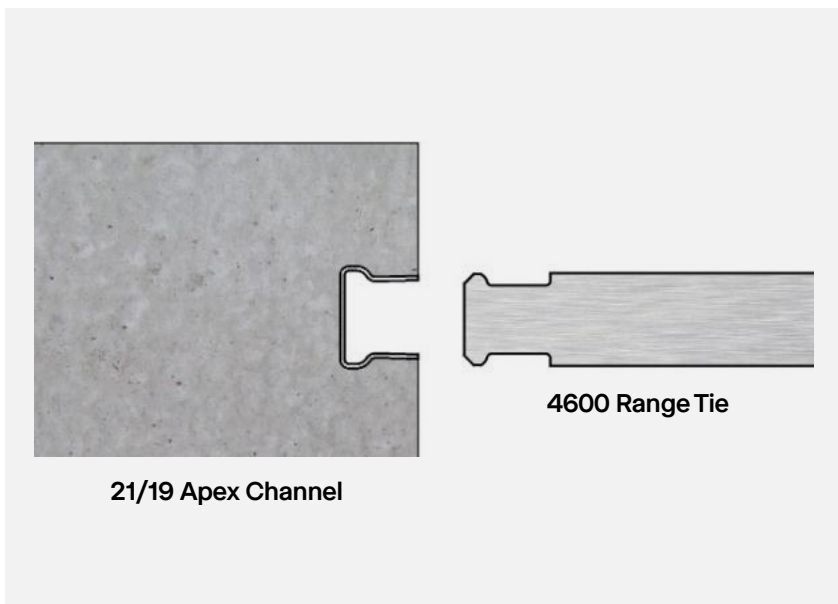
Debonded/Plain/Dripped

Apex Channel



Installation

Apex channel is a high performance, self-anchoring, cast in channel designed to provide a horizontal or vertical slot in a concrete structure to accept 4600 Range Channel Ties. Apex channel is typically used to restrain brickwork, stonework or other masonry structures and can be used in applications where there is reduced cover to reinforcement. The channel is installed by nailing the channel onto the form work prior to concrete pouring. The channel is supplied with an infill to restrict concrete ingress. Ties are installed by twisting the tie into the channel aperture to engage the profiled end into the corresponding channel profile.





Built on tradition. Driven by innovation.

Get in touch to learn more
about Channel, Wall Ties and
the full range of ACS products.

0113 391 8200
info@acsstainless.co.uk
acsstainless.co.uk

 ACS Stainless Steel Fixings Ltd
 [ACSStainlessSteelFixings](https://twitter.com/ACSStainlessSteelFixings)